

Multiplexer - FB-MUX/HS/DIO-NAM/PA - 2316270

Please be informed that the data shown in this PDF Document is generated from our Online Catalog. Please find the complete data in the user's documentation. Our General Terms of Use for Downloads are valid (<http://phoenixcontact.com/download>)



The FB-MUX/HS/DIO-NAM/PA head station can be used with up to three 4-channel NAMUR digital input modules (FB-DI4/NAMUR-IFS) and two 4-channel digital output modules (RAD-DOR4-IFS). This configuration can be used as a valve coupler solution to open and close, as well as monitor, the position of a valve.

Product Description


The fieldbus PA multiplexer headstation allows the integration of standard Radioline I/O modules to a Profibus PA network. The FB-MUX/HS/PA has five profile software versions for different IO configurations.

Your advantages

- ✓ No software needed thanks to a pre-configured head station
- ✓ Connection of all I/O field signals with standard PROFIBUS PA cable
- ✓ Easy integration into host system with an EDD-, GSD-, or DTM-data file
- ✓ Five application-specific head stations allow simple implementation in the field
- ✓ Scalable according to application needs
- ✓ UL listed
- ✓ Suitable for ATEX zone 2
- ✓ IECEx CoC



Key Commercial Data

Packing unit	1 pc
GTIN	 4 055626 323305
GTIN	4055626323305
Weight per Piece (excluding packing)	0.010 g
Custom tariff number	85176200
Country of origin	United States

Multiplexer - FB-MUX/HS/DIO-NAM/PA - 2316270

Technical data

Note

Utilization restriction	EMC: class A product, see manufacturer's declaration in the download area
	Use in potentially explosive areas is not permitted in China.

Dimensions

Width	17.5 mm
Height	114.5 mm
Depth	99 mm

Ambient conditions

Ambient temperature (operation)	-40 °C ... 70 °C
Ambient temperature (storage/transport)	-40 °C ... 85 °C
Maximum altitude	< 2000 m
Permissible humidity (operation)	20 % ... 95 % (non-condensing)

Output data

Output nominal voltage	24 V DC
Nominal output voltage range	9 V DC ... 32 V DC

Power supply

Supply voltage range	19.2 V DC ... 30.5 V DC
Max. current consumption	50 mA (At 24 V DC, at 25°C)

General

Degree of pollution	2
Overvoltage category	II
Housing material	PA 6.6-FR
Color	green

Safety data

ATEX	IBExU 17ATEXB011X; II 3 G; Ex ec IIC T4 Gc
IECEX	IECEX IBE 17.0029X; Ex ec IIC T4 Gc

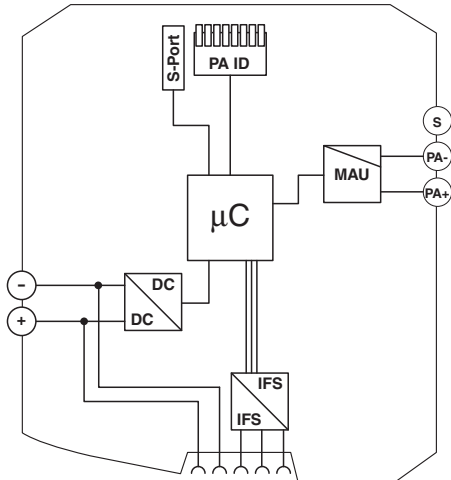
Standards and Regulations

ATEX	IBExU 17ATEXB011X; II 3 G; Ex ec IIC T4 Gc
IECEX	IECEX IBE 17.0029X; Ex ec IIC T4 Gc
UL, USA/Canada	Class I, Div. 2, Groups A, B, C, D T4 Class I, Zone 2, AEx ec IIC T4, Ex ec IIC T4 Gc X

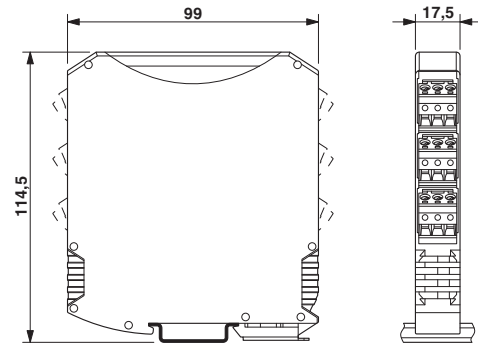
Drawings

Multiplexer - FB-MUX/HS/DIO-NAM/PA - 2316270

Block diagram



Dimensional drawing



Classifications

eCl@ss

eCl@ss 10.0.1	19179290
eCl@ss 11.0	19179090
eCl@ss 5.1	19179290
eCl@ss 6.0	19179200
eCl@ss 7.0	19179290
eCl@ss 9.0	19179290

ETIM

ETIM 6.0	EC000310
----------	----------

UNSPSC

UNSPSC 13.2	43222604
UNSPSC 18.0	43222604
UNSPSC 19.0	43222604
UNSPSC 20.0	43222604
UNSPSC 21.0	43222604

Approvals

Approvals

Approvals

UL Listed / cUL Listed / cULus Listed

Multiplexer - FB-MUX/HS/DIO-NAM/PA - 2316270

Approvals

Ex Approvals

IECEX / UL Listed / cUL Listed / ATEX / cULus Listed

Approval details

UL Listed		http://database.ul.com/cgi-bin/XYVV/template/LISEXT/1FRAME/index.htm	FILE E 238705
-----------	--	---	---------------

cUL Listed		http://database.ul.com/cgi-bin/XYVV/template/LISEXT/1FRAME/index.htm	FILE E 238705
------------	--	---	---------------

cULus Listed			
--------------	--	--	--

Accessories

Accessories

Extension module

I/O extension module - RAD-NAM4-IFS - 2316275



Radioline - I/O extension module, 4 NAMUR digital input module used in Radioline and PROFIBUS PA MUX I/O systems. Fulfills the NAMUR proximity sensor standard EN 60947-5-6, and communication to the head stations for Radioline systems and the FB-MUX/HS...PA via the T-BUS connector installed on the DIN rail. This module has channel-to-channel isolation.

I/O extension module - RAD-DOR4-IFS - 2901536



Radioline - I/O extension module, 4 digital relay outputs (5 A, 250 V AC/DC)
